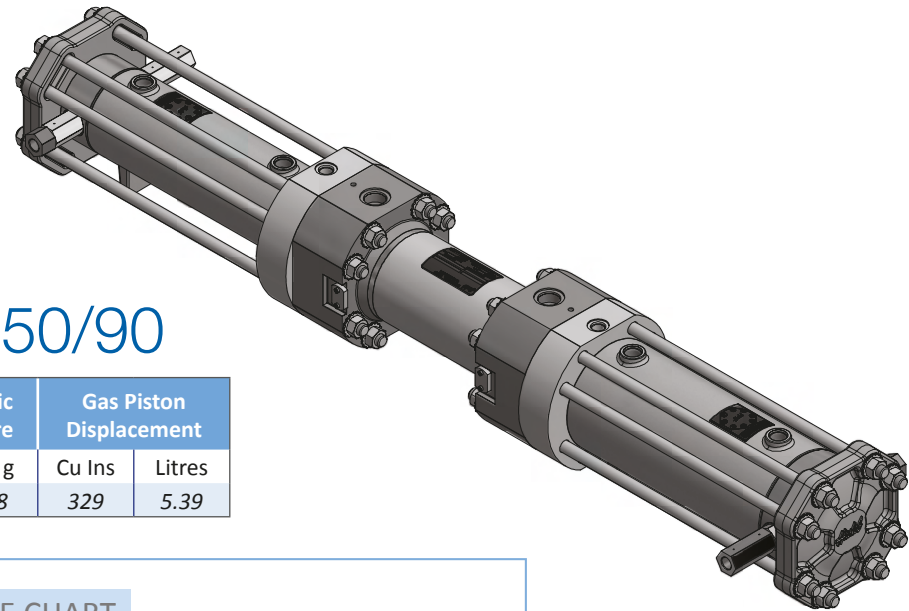


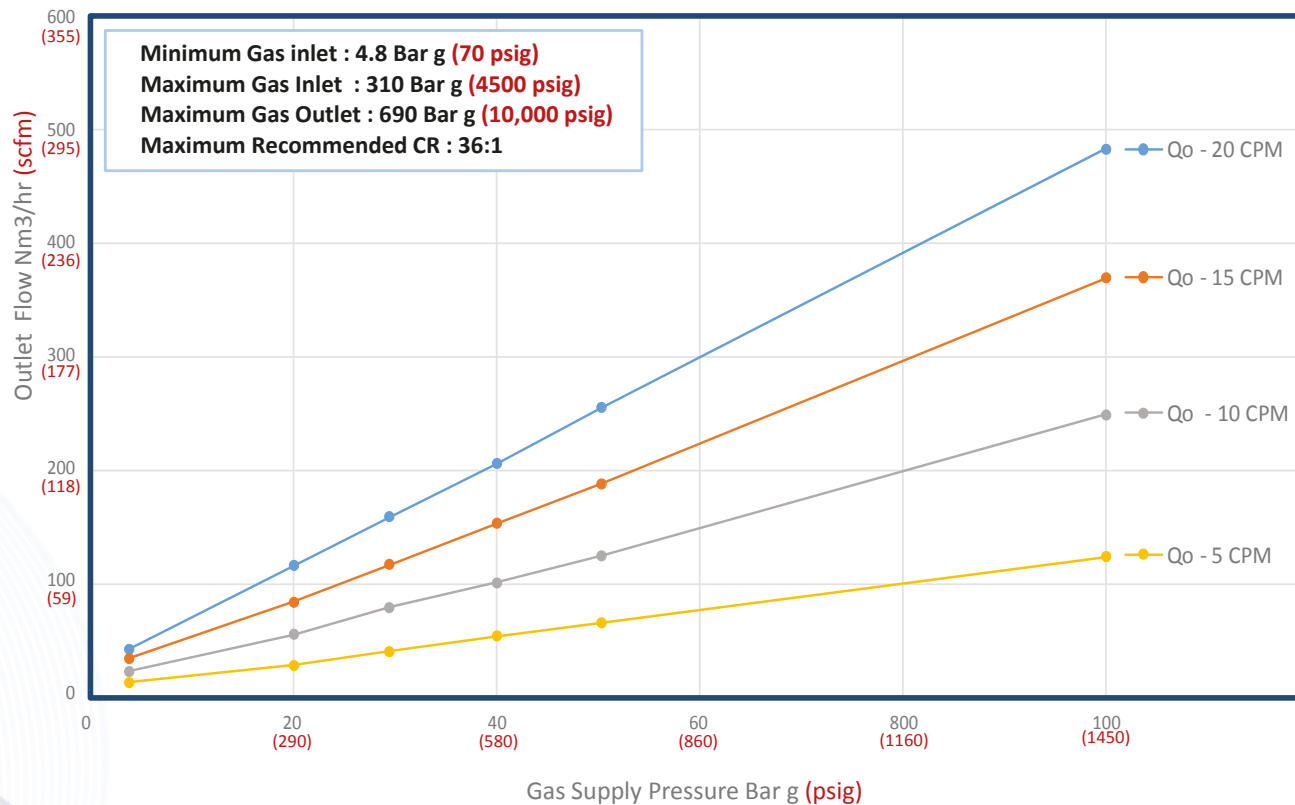


H-Drive Booster Model HGT-150/90



Max Gas Inlet Pressure		Min Gas inlet Pressure		Max. rec. Cr	Max Gas Outlet Pressure		Max Hydraulic Drive Pressure		Gas Piston Displacement	
Psi g	Bar g	Psi g	Bar g	CR	Psi g	Bar g	Psi g	Bar g	Cu Ins	Litres
4500	310	70	4.8	36:1	10,000	690	3600	248	329	5.39

HGD-150/90 PERFORMANCE CHART



To determine required cycling speed:

1. Draw horizontal line representing required outlet flow
2. Draw vertical line representing the gas supply pressure available
3. Where both lines cross will give the approx. cycling speed of the H-Drive

For full operating parameters of H-Drive running at particular conditions including the hydraulic power supply required, contact factory or distributor with following data:

- Ps Gas supply pressure
- Po Gas outlet pressure
- Qo Outlet flow required
- Gas being transferred
- Details of the application

